

# Power Supply

**ENDEVCO  
MODEL  
4221A**

## Model 4221A

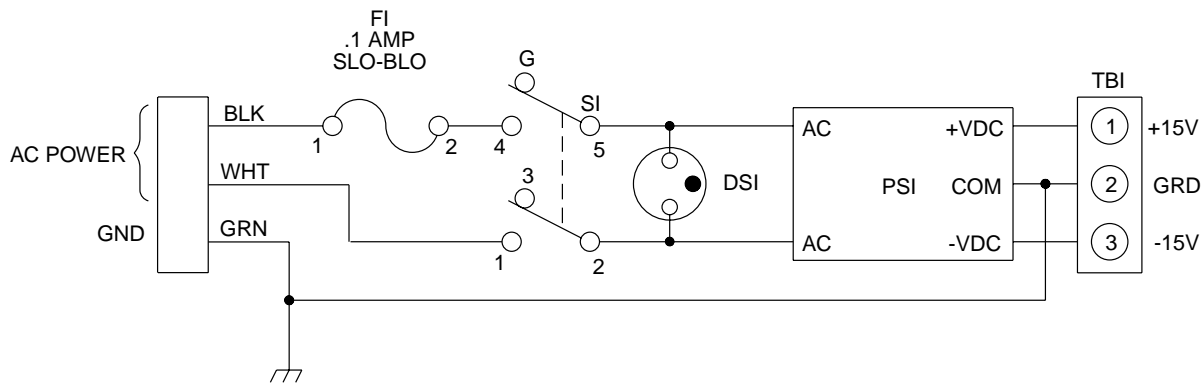
- Provides  $\pm 15$  Vdc, 100mA for 2721B
- Available for 105 to 125 V,

### DESCRIPTION

The ENDEVCO® Model 4221A is a  $\pm 15$  Vdc excitation source for use with the 2721B Series Charge Amplifiers. It is capable of powering up to 10 channels of the 2721B Series Charge Amplifiers.



Not actual size



# Power Supply

## SPECIFICATIONS

### INPUTS

VOLTAGE (STANDARD)	105 to 125V, 50 to 60 Hz
OPTIONAL (V)	200 to 252V, 50 to 60 Hz
OPTIONAL (W)	90 to 100V, 50 to 60 Hz
FUSE REQUIREMENTS	1/10 amp SLO-BLO

### OUTPUTS

VOLTAGE/CURRENT	±15 Vdc, 100 mA
-----------------	-----------------

### ENVIRONMENTAL

OPERATING TEMPERATURE	-13°F to +160°F (-25°C to +71°C)
HUMIDITY	95% RH, Non-condensating

### PHYSICAL

DIMENSIONS	1.75"w x 3.0"h x 5.125"d (4.44cm w x 7.62cm h x 13.01cm d)
FRONT PANEL CONTROLS	Two position toggle switch
POWER INDICATOR	"ON" light

### ACCESSORIES

EHR77	Four Rubber Feet
21732	Four Mounting Screws

### Notes

Maintain high levels of precision and accuracy using Endevco's factory calibration services. Call Endevco's inside sales force at 800-982-6732 for recommended intervals, pricing and turn-around time for these services as well as for quotations on our standard products.

Continued product improvement necessitates that Endevco reserve the right to modify these specifications without notice. Endevco maintains a program of constant surveillance over all products to ensure a high level of reliability. This program includes attention to reliability factors during product design, the support of stringent Quality Control requirements, and compulsory corrective action procedures. These measures, together with conservative specifications have made the name Endevco synonymous with reliability.